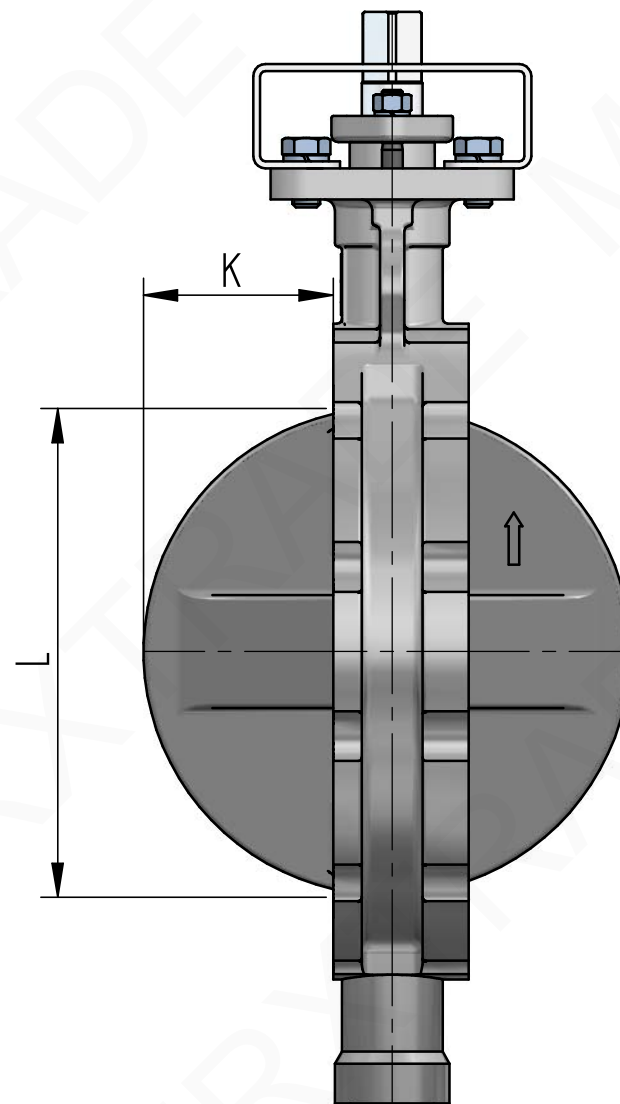
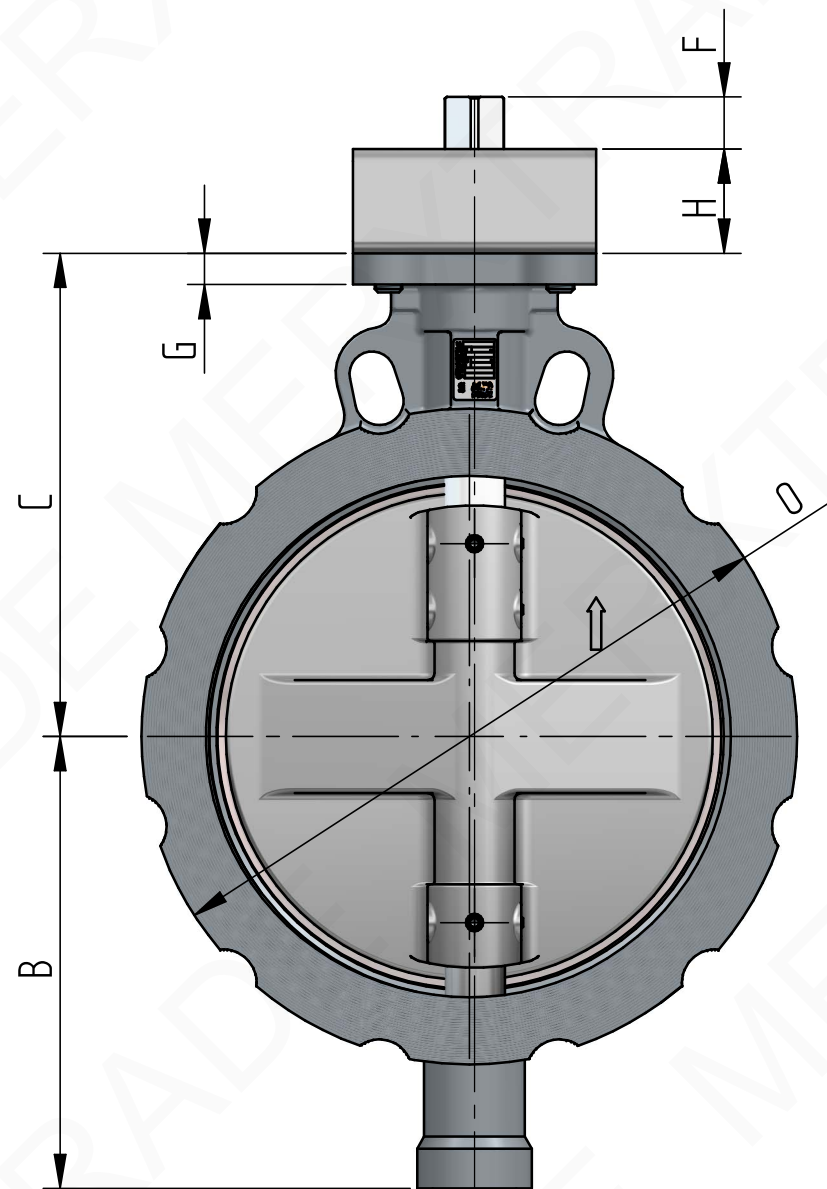


WAFFER TYPE DOUBLE - ECCENTRIC - BARE SHAFT

HIGH PERFORMANCE

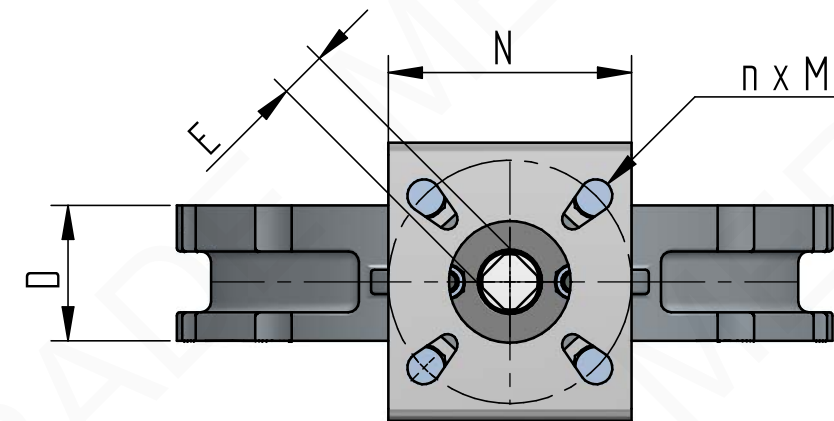


DN50 - DN400



Size DN200 to DN400
 Face to face acc. EN558.1 series 20
 Flange connections: DIN 10-16
 ANSI B 16.5 Cl. 150 #
 Temperature -40/+250°C
 Various pressure ratings up to 19 bar
 Top flange according ISO 5211

Standard available materials :			
BODY	DISC	SHAFT	SEAT
EN-JS1030	SS 1.4408	17-4PH	PTFE
A216 WCB	1.4470	Duplex F51	RPTFE
SS 1.4408	Alubronze	SuperDuplex F53	RPTFE+SS316
SD 2508	SD 2507	C6300	Metal seated



Size	B	C	D	E	F	G	H	Topflange			K	L	O	Weight ± Kg
								ISO 5211	N	n x M				
DN 50	91	108	43	12 <45°	20	12	45	F05/07	50/70	4x ø8/ø10	8	38	102	3.6
DN 65	101	123	46	12 <45°	20	13	45	F05/07	50/70	4x ø8/ø10	15	58	122	4.8
DN 80	107	133	46	12 <45°	20	14	45	F05/07	50/70	4x ø8/ø10	21	71	132	5.0
DN 100	115	155	52	12 <45°	20	14	45	F05/07	50/70	4x ø8/ø10	28	91	155	6.5
DN 125	155	173	56	17 <45°	20	14	45	F07/10	70/102	4x ø10/ø12	37	113	188	11.0
DN 150	164	183	56	17 <45°	20	14	45	F07/10	70/102	4x ø10/ø12	47	134	212	12.3
DN 200	195	218	60	19 <45°	30	15	55	F12	125	4x ø14	71	185	268	20.6
DN 250	230	253	68	22 <45°	30	16	55	F12	125	4x ø14	94	234	326	34.2
DN 300	260	278	78	27 <45°	30	18	60	F10/12/14	102/125/140	4x ø12/ø14/ø18	109	272	377	45.1
DN 350	308	318	92	30 <45°	32	20	60	F10/12/14	102/125/140	4x ø12/ø14/ø18	125	318	420	72.0
DN 400	354	363	102	36 <45°	54	28	70	F12/14/16	125/140/165	4x ø14/ø18/ø22	147	367	482	106.0